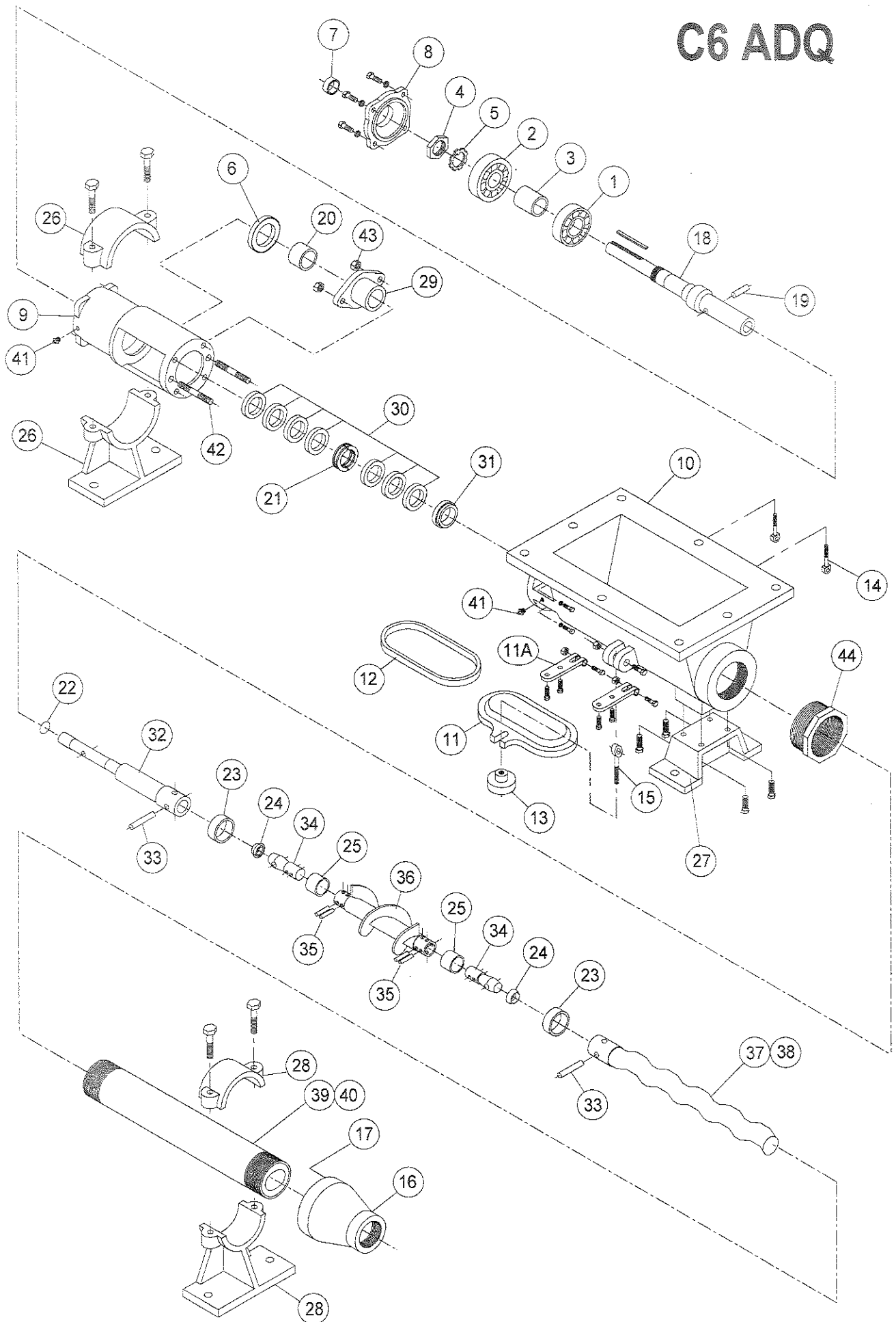


C6 ADQ



C6 PUMP
REPAIR PARTS LIST

REF#	PART#	DESCRIPTION
1	64A06291	Radial Ball Bearing
2	64A06301	Thrust Ball Bearing
3	64A06331	Bearing Spacer
4	64A06581	Bearing Lock Nut
5	64A06591	Bearing Lock Washer
6	64A06611	Radial Grease Seal
7	64A06621	Thrust Grease Seal
8	64ALA06341	Bearing Cover Plate
9	64ALA06051	Bearing Housing
10	64ALJ06021	Suction Housing
11	64ALDOOR	Cleanout Door
11A	21ALDOORHINGE	Cleanout Door Hinge <i>(2 required)</i>
12	64C6DOORGASK	C6 Pump Trap Door Gasket
13	24C6KNOB	C6 Pump Trap Door Knob
14	24C6LATCHBOLT	C6 Pump Trap Door Latch Bolt <i>(2 required)</i>
15	24C6RODEND	C6 Pump Trap Door Rod End
16	64ALB06091	Aluminum Stator Reducer
17	33EV3GASK	Reducer Gasket
18	64J06261	Drive Shaft
19	64J0646D	Shaft Pin
20	64J06502	Pin Retainer-Rubber
21	64A06571	Lantern Ring Half <i>(2 required)</i>
22	64J06112	"O" Ring-Shaft
23	64J06501	Pin Retainer-Winged <i>(2 required)</i>
24	64A06531	Connecting Rod Washer <i>(2 required)</i>
25	64J06503	Pin Retainer <i>(2 required)</i>
26	64ALA06371	Pump Support
27	64ALJ06601	Suction Housing Support
28	64ALA06381	Stator Support
29	64B0641B	Packing Gland
30	64B06421	Packing Set <i>(7 Pieces)</i>
31	64J0665D	Packing Washer
32	64J06281	Intermediate Drive Shaft
33	64J0645D	Rotor Pin <i>(2 required)</i>
34	64J0616D	Connecting Rod End <i>(2 required)</i>
35	64B0445D	Connecting Rod Pin <i>(4 required)</i>
36	64J0618D	Conveyor Tube W/Screw
37	64C72061	Two Stage Size 6 Rotor
38	64C73061	Three Stage Size 6 Rotor
39	64C4206Q	Two Stage Size 6 CDQ Stator <i>(4" Dia. X 21" Long)</i>
40	64C4306Q	Three Stage Size 6 CDQ Stator <i>(4" X 32" Long)</i>
41	241958	1/8 " Zerk Grease Fitting
42	642J6PKGSTDS	Packing Gland Stud
43	642J6PKGNTS	Packing Gland Stud
44	54BK4X31/2BUSH	Black Bushing